



## Masterspot 2 Track - Product data sheet

### Light technical

Luminous intensity (3000K @ 12deg)	35,000 cd
Color temperature range	1000 - 25,000 K
CRI (3000K)	95
R9 (3000K)	90
TM30	93 R <sub>f</sub> 103 R <sub>g</sub>
Initial color consistency	<3 SDCM
LED light output (3000K)	4500 Lm
Beam angle (FWHM)	Adjustable 12-24 deg
Dimming range	0.1-100 %
Color gamut (CIEx;CIEy)	R(0.670 , 0.320), G(0.240 , 0.675), B(0.160 , 0.035)
Visual comfort	UGR <13
LOR	0.72
Lifetime	50,000 hr
Minimum lumen maintenance	L70B50 @ 50,000 hr

### Electrical

Typical lamp power (3000K)	85 W
System input voltage	220-240V AC, 50 Hz
Driver	Built-in
Control method	Wireless (via Invisua Lightport)
Control interface	Smartphone, tablet, pc, DMX controller

### Mechanical

Mount	Global Track (3 phase)
Housing material	Aluminum
Rotation	355°
Tilting	120°
Color	White, Black, other colors on request
Reflector diameter	110 mm
Overheating protection	Yes
Weight	2.3 Kg

### Environmental

Ambient temperature	-10 .. 35°C
Ingress protection	IP20
Maximum humidity	85% non condensing

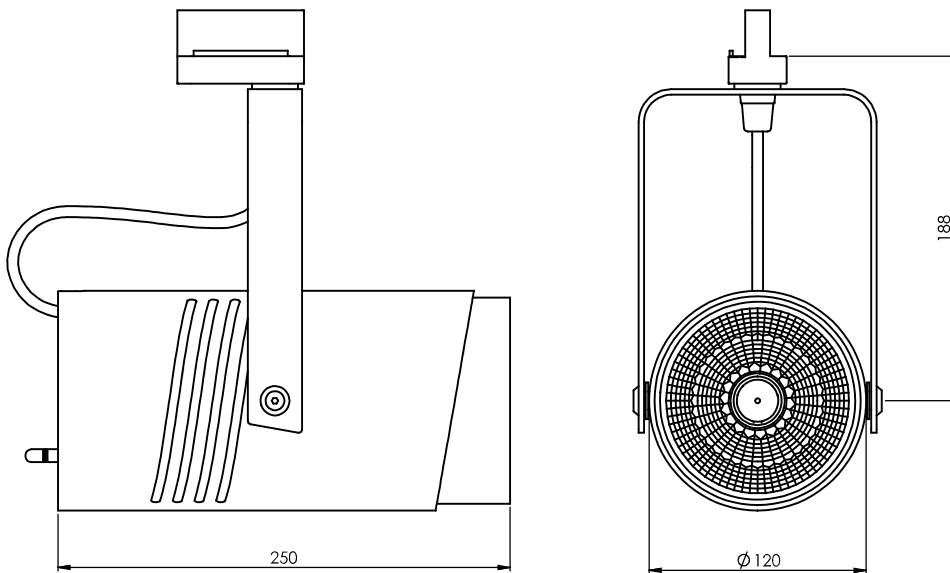
### Warranty and Compliances

Warranty	5 years (conditions apply)
Compliances	CE, RoHS



## Masterspot 2 Track - Product data sheet

### Dimensional drawing



### Light quality (typical)

CRI measurement	Ra	R1	R2	R3	R4	R5	R6	R7	R8	R9	R10	R11	R12	R13	R14
3000K	95	95	98	87	89	96	97	94	93	94	90	85	84	97	90
4000K	90	93	90	85	90	90	86	91	86	58	73	90	64	92	91

### Light distribution (12deg)

